



# DGM2203SVSE



HD 1080P



H.265



EaZy  
Networking



Starlight



DWDR



PoE



Mobile  
Surveillance

## H.265 2MP Starlight IR Dome IP Camera

### FEATURES

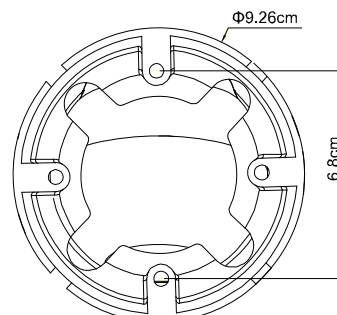
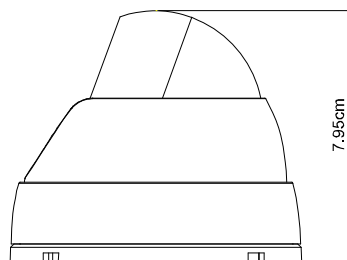
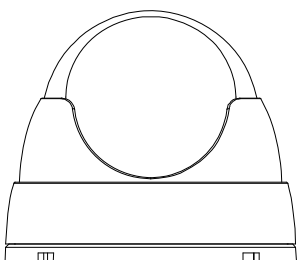
- **Free P2P Cloud EaZy Networking**
  - Cloud **EaZy Networking** available to connect this device to Internet automatically in three steps with our free mobile app, EagleEyes.
  - The **Buddy** feature to share the device access permission to other people.
  - Device login / out notifications reported.



- **Starlight visibility** to offer clear & color images even at night

- **ONVIF** (**ONVIFS**) standard supported to simplify system integration
- **POE (Power-over-Ethernet)** support to eliminate the use of power cables and reduce installation costs
- **DWDR** to increase image recognizability in overexposure and dark areas
- **Vertical View Mode** supported to monitor long and narrow areas such as corridors and aisles.
- **Remote Surveillance**
  - **Fully compatible** with **iOS** and **Android** devices, and **Internet Explorer** on Windows operating system
  - Free PC program, **CMS Lite**, for 32CH devices monitoring on Windows operating system

### DIMENSIONS



Dimensional tolerance: ± 5mm



## ○ SPECIFICATIONS

| ■ Network                  |  |
|----------------------------|--|
| LAN Port                   | YES  |
| LAN Speed                  | 10/100 Based-T Ethernet  |
| Supported Protocols        | DDNS, PPPoE, DHCP, NTP, SNTP, TCP/IP, ICMP, SMTP, FTP, HTTP, RTP, RTSP, RTCP, IPv4/IPv6, Bonjour, UPnP, DNS, UDP, IGMP, QoS, SNMP                                  |
| ONVIF Compatible           | YES (Profile S)  |
| Number of Online Users     | 10   |
| Security                   | (1) Multiple user access levels with password<br>(2) IP address filtering<br>(3) Digest authentication   |
| Remote Access              | (1) Internet Explorer on Windows operating system<br>(2) CMS Lite, 32CH CMS software for Windows operating system<br>(3) EagleEyes on iOS & Android mobile devices |
| ■ Video                    |  |
| Network Compression        | H.265 / H.264 / MJPEG  |
| Video Resolution           | 1920 x 1080 / 1280 x 720 / 704 x 480 / 352 x 240   |
| Frame Rate                 | 30fps  |
| Multiple Video Streaming   | 4 (H.265 / H.264 / MJPEG)  |
| ■ General                  |  |
| Image Sensor               | 1/2.8" CMOS image sensor   |
| Min Illumination           | 0.001 Lux / F1.6, 0 Lux (IR LED ON)  |
| Shutter Speed              | 1/2 to 1/10,000 sec  |
| S/N Ratio                  | More than 48dB (AGC off)   |
| Lens                       | f3.6mm / F1.6  |
| Viewing Angle              | 84° (Horizontal) / 45° (Vertical) / 99° (Diagonal)   |
| IR LED                     | 2 Units  |
| IR Effective Distance**    | Up to 25 meters  |
| IR Shift                   | YES  |
| Smart Light Control        | YES  |
| White Balance              | ATW  |
| AGC                        | Auto   |
| IRIS Mode                  | AES  |
| Sharpness                  | YES  |
| DWDR                       | YES  |
| POE                        | YES (IEEE 802.3af)   |
| Privacy Mask               | YES  |
| Vertical View Mode         | YES  |
| Weather-proof              | IP66   |
| Operating Temperature      | -25°C ~ 50°C   |
| Operating Humidity         | 90 or less relative humidity   |
| Power Source (±10%)        | 12V / 1A   |
| Current Consumption (±10%) | 140mA (IR LED OFF) / 220mA (IR LED ON)   |
| Power Consumption (±10%)   | PoE & PoN: 3.7W; DC adapter: 3W  |
| Net Weight (kg)            | 0.39   |



## ● SPECIFICATIONS (CONTINUED)

| ■ Others                          |  |
|-----------------------------------|--|
| EaZy Networking                   | YES  |
| Mobile Surveillance               | iOS & Android mobile devices   |
| Motion Detection                  | YES  |
| Event Notification                | FTP / Email / SMS  |
| RTC (real-time clock)             | YES  |
| Digital Pan / Tilt / Zoom         | YES  |
| Minimum Web Browsing Requirements | <ul style="list-style-type: none"> <li>• Intel core i3 or higher, or equivalent AMD</li> <li>• 2GB RAM</li> <li>• AGP graphics card, Direct Draw, 32MB RAM</li> <li>• Windows 10, Windows 8, Windows 7, Windows Vista &amp; Windows XP, DirectX 9.0 or later</li> <li>• Internet Explorer 7.x or later (Windows Edge not supported)</li> </ul> |
| Optional Junction Box             | AVA456-BKT / AVA456-HBKT   |
| Certification                     | CE   |

\*The specifications are subject to change without notice.